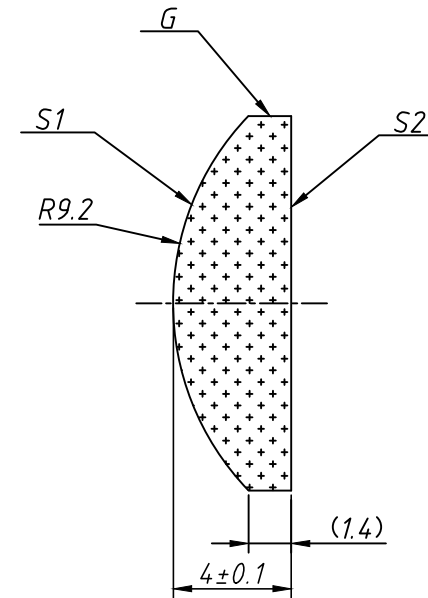
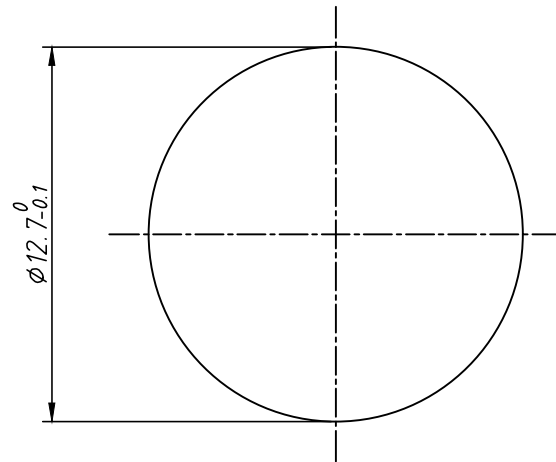




Isometric view1: 1



Notes:

1. Materials: C7980 OF
2. Design Wavelength: 587.6nm
3. Focal Length: $f = +20.0\text{mm} \pm 1\%$
4. Back Focal Length(REF): $bf = 17.26 \text{ mm}$
5. Centration error: $\leq 2 \text{ arcmin}$
6. Clear aperture: $\geq 90\%$
7. G - Fine ground surface
8. Coating: AR/AR@1064nm(REFER TO COATING CURVES)
9. All dimensions are in mm

Parameters			SHALOM EO www.shalomeo.com	UVFS Plano-convex D=12.7 F=20 WITH AR@1064nm COATING					
	S1	S2		Proprietary	Name	Date	Part number	Rev	Scale
Shape	Convex	Plano							
Radius of curvature	9.17	Infinity		The drawing is property of Hangzhou Shalom EO, any reproduction in part or as a whole without permission is prohibited.	DRAWN	YSF	27/Apr/20	1102-005	A
Surface quality	10/5 S/D	10/5 S/D	APPROVAL		JT	27/Apr/20			
Surface Irregularity	$\lambda/10@632.8\text{nm}$	$\lambda/10@632.8\text{nm}$							
Power(P-V)	$3\lambda/2@632.8\text{nm}$	$\lambda/2@632.8\text{nm}$							
Protective chamfers	0.2mm x 45°	0.2mm x 45°							